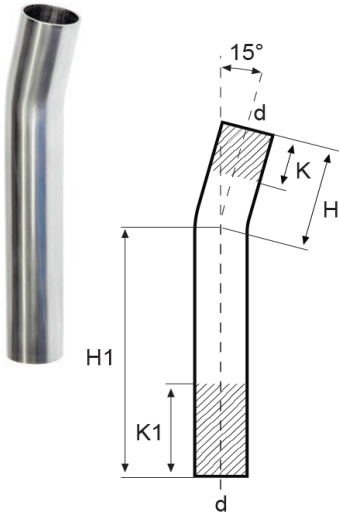

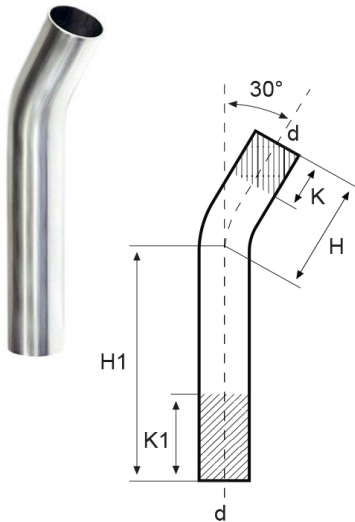



Tubo curvo 15°
Bend 15° with plain ends
Passbogen 15°



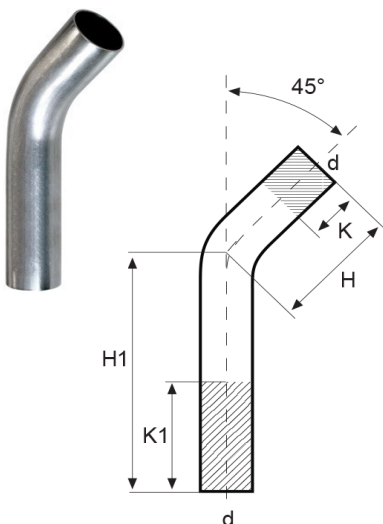
Code	d	H1	H	K	K1		MOQ
S75AC	15	122	60	21	83	60	30
S75AD	18	128	55	15	88	74	30
S75AE	22	124	50	7	81	134	30
S75AF	28	136	45	7	47	178	20
S75AG	35	234	62	30	110	378	15
S75AH	42	276	94	44	144	542	10
S75AJ	54	337	117	65	165	884	10
S75AK	76,1	230	226	65	65	1.580	5
S75AL	88,9	260	240	80	80	1.954	5
S75AM	108	291	222	95	95	2.516	5


Tubo curvo 30°
Bend 30° with plain ends
Passbogen 30°



Code	d	H1	H	K	K1		MOQ
S74AC	15	122	60	21	83	57	30
S74AD	18	128	55	16	89	74	30
S74AE	22	124	50	6	80	134	30
S74AF	28	130	54	7	47	258	20
S74AG	35	218	80	30	110	376	15
S74AH	42	274	98	44	144	558	10
S74AJ	54	324	137	65	165	912	10
S74AK	76,1	200	202	66	66	1.350	5
S74AL	88,9	262	264	80	80	2.110	5
S74AM	108	259	272	95	95	2.622	5

Tubo curvo 45°
Bend 45° with plain ends
Passbogen 45°



Code	d	H1	H	K	K1		MOQ
S73AC	15	120	62	19	77	62	30
S73AD	18	124	58	16	82	73	30
S73AE	22	120	56	7	71	132	30
S73AF	28	122	58	2	66	160	20
S73AG	35	206	94	20	132	375	15
S73AH	42	262	114	1	149	562	10
S73AJ	54	321	146	37	212	906	10
S73AK	76,1	225	225	69	69	1.618	5
S73AL	88,9	267	267	103	103	2.078	5
S73AM	108	293	293	66	66	2.988	5