
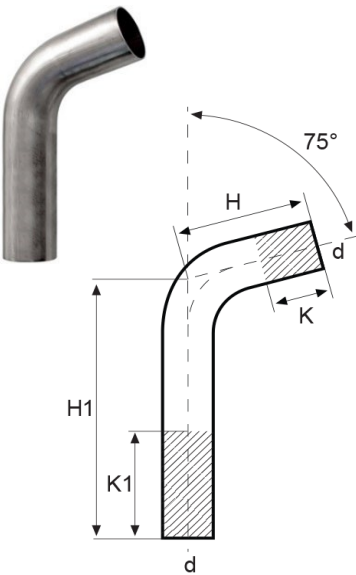


Tubo curvo 60°

Bend 60° with plain ends

Passbogen 60°


Code	d	H1	H	K	K1		MOQ
S72AC	15	122	60	21	83	60	30
S72AD	18	122	62	16	76	70	30
S72AE	22	118	60	5	63	130	30
S72AF	28	116	71	7	47	178	20
S72AG	35	226	101	30	110	406	15
S72AH	42	251	124	44	145	562	10
S72AJ	54	308	162	65	165	884	10
S72AK	76,1	219	223	70	70	1.476	5
S72AL	88,9	250	257	80	80	1.970	5
S72AM	108	288	298	95	95	2.844	5

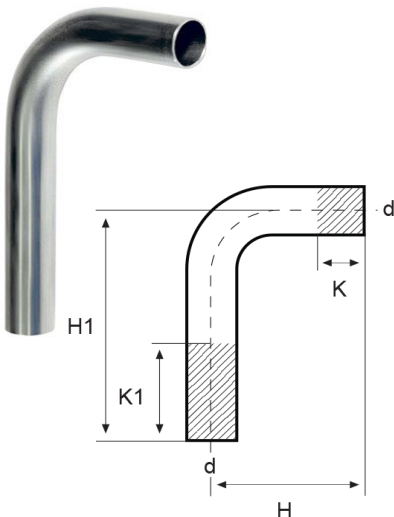


Tubo curvo 75°

Bend 75° with plain ends

Passbogen 75°


Code	d	H1	H	K	K1		MOQ
S71AC	15	117	66	22	73	58	30
S71AD	18	120	65	17	72	70	30
S71AE	22	118	64	9	63	130	30
S71AF	28	114	71	7	50	186	20
S71AG	35	200	110	26	119	378	15
S71AH	42	251	137	44	158	556	10
S71AJ	54	305	178	60	187	893	10
S71AK	76,1	240	240	62	62	1.556	5
S71AL	88,9	280	280	90	90	2.130	5
S71AM	108	330	330	45	45	3.360	5



Tubo curvo 90°

Bend 90° with plain ends

Passbogen 90°

Code	d	H1	H	K	K1		MOQ
S70AB	12	100	50	10	30	68	50
S70AC	15	120	70	22	72	54	40
S70AD	18	120	70	17	67	72	40
S70AE	22	120	70	9	59	128	20
S70AF	28	125	97	7	47	204	20
S70AG	35	200	120	30	110	362	10
S70AH	42	250	160	44	144	568	10
S70AJ	54	305	200	65	165	908	10
S70AK	76,1	250	250	62	62	1.668	5
S70AL	88,9	291	291	90	90	2.022	5
S70AM	108	364	364	45	45	3.200	5