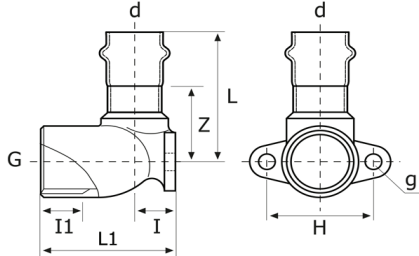


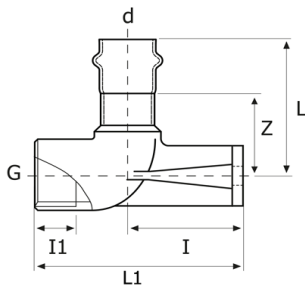
**Gomito misto con flangia**  
**90° female elbow adaptor with wall plate**  
**Deckenwinkel 90° I.G.**



Code	d - G (ISO 228)	L	L1	Z	I	I1	H	g		MOQ
S32PCVI-LBP	15-G $\frac{1}{2}$	47	43	26	13	14	34	5	111	80
S32PDVI-LBP	18-G $\frac{1}{2}$	48	43	27	13	14	34	5	106	60
S32QEVI-LBP	22-G $\frac{3}{4}$	53	51	30	17	15	40	6	163	60



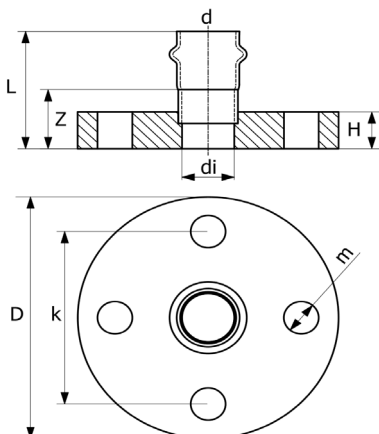
**Gomito misto con flangia lunga**  
**90° female elbow adaptor with long wall plate**  
**Deckenwinkel 90° I.G. abgesetzt**



Codice	d - G	L	L1	Z	I	I1		MOQ
S39PCVI-LBP	15-G $\frac{1}{2}$	47	75	26	45	14	161	50
S39PDVI-LBP	18-G $\frac{1}{2}$	47	75	26	45	14	156	50
S39PEVI-LBP	22-G $\frac{1}{2}$	53	79	30	45	14	194	50
S39QEVI-LBP	22-G $\frac{3}{4}$	52	79	29	45	15	210	50



**Flangia con bicchiere PN 10/16**  
**Flange with pressing socket PN 10/16**  
**Übergangsflansch PN 10/16**



Code	d	D	di	L	H	m	k	Z		MOQ
S52ACVI-LBP	15	95	14	56	11	14	65	35	593	20
S52ADVI-LBP	18	95	17	54	11	14	65	33	588	20
S52AEVI-LBP	22	105	21	62	12	14	75	39	794	20
S52AFVI-LBP	28	115	27	66	14	14	85	42	1.102	20
S52AGVI-LBP	35	140	32	73	15	18	100	46	1.727	20
S52AHVI-LBP	42	150	39	81	16	18	110	49	2.110	15
S52AJVI-LBP	54	165	51	109	18	18	125	72	2.861	15