

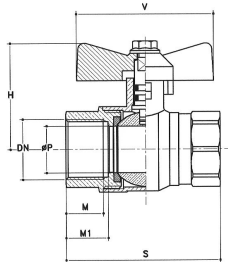
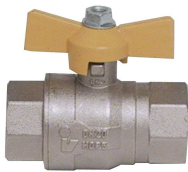
| DN     | ØP | S    | H    | L   | M    | Peso gr<br>Weight<br>Gewicht | Conf.<br>Box<br>Packung |
|--------|----|------|------|-----|------|------------------------------|-------------------------|
| ¼"     | 10 | 45   | 45   | 91  | 12   | 145                          | 100                     |
| 3/8"   | 10 | 45   | 45   | 91  | 12   | 130                          | 100                     |
| 1/2"   | 15 | 61   | 50   | 91  | 17   | 205                          | 100                     |
| 3/4"   | 20 | 68.9 | 54   | 91  | 18.5 | 300                          | 80                      |
| 1"     | 25 | 80.4 | 66.5 | 120 | 20.5 | 530                          | 48                      |
| 1 1/4" | 32 | 93   | 71   | 120 | 22.3 | 765                          | 20                      |
| 1 1/2" | 40 | 103  | 78   | 120 | 23.2 | 1020                         | 15                      |
| 2"     | 50 | 125  | 94   | 145 | 27.3 | 1790                         | 10                      |

Valvola a sfera in ottone a passaggio totale F.F. con stelo antiscoppio.

*Brass ball valve full bore F.F. with anti-burst stem.*

*Messing Kugelhahn mit vollem Durchfluss IG/IG mit Schutzsystem Spindel.*

## 220E



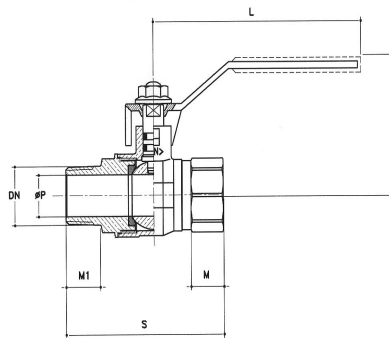
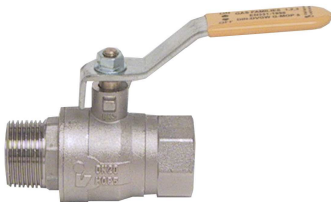
| DN   | ØP | S    | H  | V  | M    | Peso gr<br>Weight<br>Gewicht | Conf.<br>Box<br>Packung |
|------|----|------|----|----|------|------------------------------|-------------------------|
| ¼"   | 10 | 45   | 35 | 57 | 12   | 120                          | 100                     |
| 3/8" | 10 | 45   | 35 | 57 | 12   | 105                          | 100                     |
| 1/2" | 15 | 61   | 40 | 57 | 17   | 180                          | 100                     |
| 3/4" | 20 | 68.9 | 44 | 57 | 18.5 | 275                          | 80                      |
| 1"   | 25 | 80.4 | 55 | 65 | 20.5 | 480                          | 48                      |

Valvola a sfera in ottone a passaggio totale F.F. con stelo antiscoppio, con farfalla

*Brass ball valve full bore F.F. with anti-burst stem, with butterfly handle.*

*Messing Kugelhahn mit vollem Durchfluss IG/IG mit Schutzsystem Spindel und Flügelgriff.*

## 221E



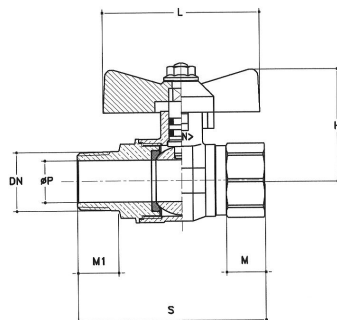
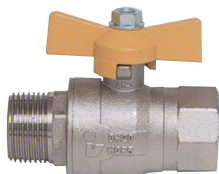
| DN   | ØP | S    | H    | L   | M    | Peso gr<br>Weight<br>Gewicht | Conf.<br>Box<br>Packung |
|------|----|------|------|-----|------|------------------------------|-------------------------|
| ¼"   | 8  | 50   | 45   | 91  | 12   | 140                          | 100                     |
| 3/8" | 10 | 50   | 45   | 91  | 12   | 130                          | 100                     |
| 1/2" | 15 | 68   | 50   | 91  | 17   | 225                          | 100                     |
| 3/4" | 20 | 75.5 | 54   | 91  | 18.5 | 325                          | 80                      |
| 1"   | 25 | 87.8 | 66.5 | 120 | 20.5 | 550                          | 40                      |

Valvola a sfera in ottone a passaggio totale M.F. con stelo antiscoppio.

*Brass ball valve full bore M.F. with anti-burst stem.*

*Messing Kugelhahn mit vollem Durchfluss AG/IG mit Schutzsystem Spindel*

## 222E



| DN   | ØP | S    | H  | L  | M    | Peso gr<br>Weight<br>Gewicht | Conf.<br>Box<br>Packung |
|------|----|------|----|----|------|------------------------------|-------------------------|
| ¼"   | 8  | 50   | 35 | 57 | 12   | 115                          | 100                     |
| 3/8" | 10 | 50   | 35 | 57 | 12   | 105                          | 100                     |
| 1/2" | 15 | 68   | 40 | 57 | 17   | 200                          | 100                     |
| 3/4" | 20 | 75.5 | 44 | 57 | 18.5 | 300                          | 80                      |
| 1"   | 25 | 87.8 | 55 | 65 | 20.5 | 500                          | 40                      |

Valvola a sfera in ottone a passaggio totale M.F. con stelo antiscoppio, con farfalla

*Brass ball valve full bore M.F. with anti-burst stem, with butterfly handle.*

*Messing Kugelhahn mit vollem Durchfluss AG/IG mit Schutzsystem Spindel und Flügelgriff.*

## 223E